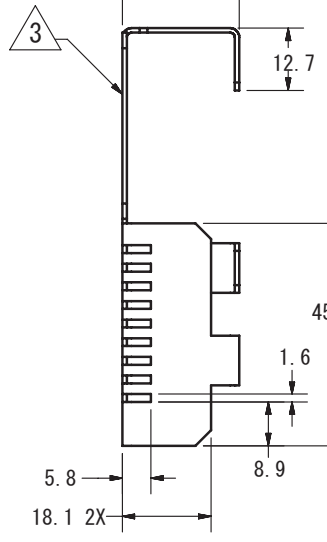
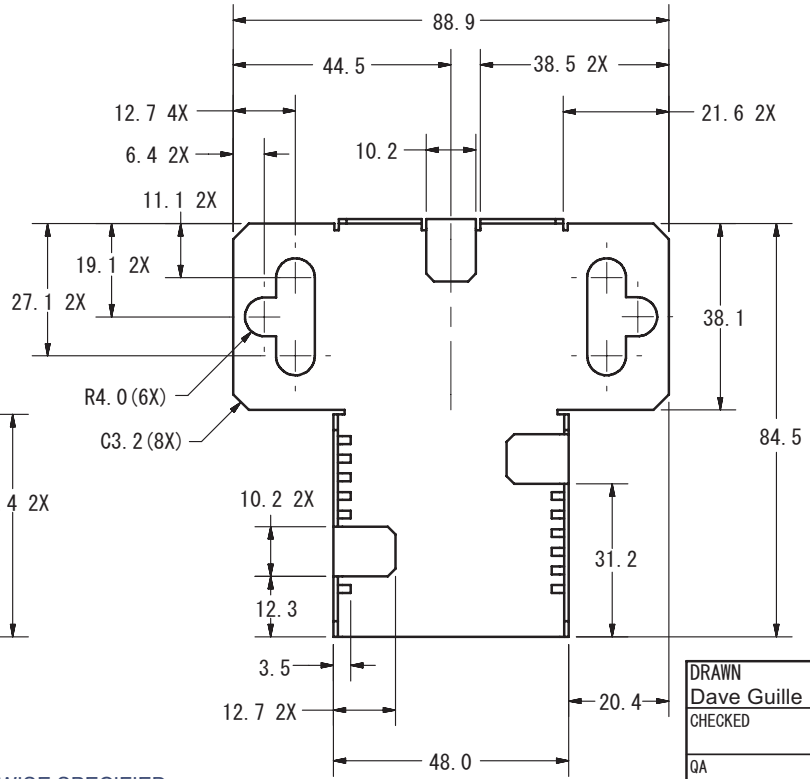
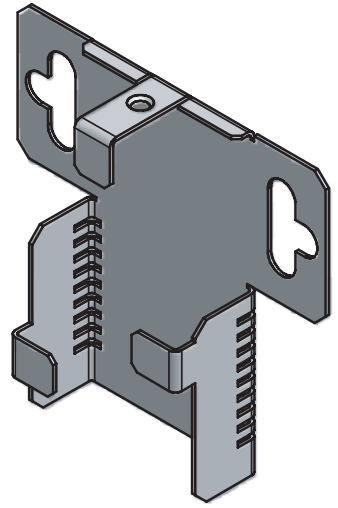


REVISION HISTORY			
REV	DESCRIPTION	DATE	APPROVED



MATERIAL: 20 GA CRS  
FINISH: BLACK ELECTRO-COAT (E-COAT)

- GENERAL NOTES, UNLESS OTHERWISE SPECIFIED
1. ALL BENDS ARE 90° WITH MIN. INSIDE RADIUS.
  2. MINIMIZE BURRS. DEBURR IF NECESSARY.
  3. IMPRESSION OR INK STAMP SUPPLIER ID, PART # AND REV LEVEL TO PART.
  4. PART TO BE ROHS COMPLIANT.

ALL DIMENSIONS IN mm  
TOLERANCES:  
LINEAR .XXX +/- 0.1  
ANGULAR +/- 2 DEG  
PUNCH TOLERANCE +/- 0.1  
FORMING TOLERANCE +/- 0.3

DRAWN Dave Guille	6/14/2007	TRANSITION NETWORKS		
CHECKED		REAR MOUNT BRKT, MINI - WMBM		
QA		SIZE B	DWG NO 31354	REV B
MFG		SCALE	SHEET 1 OF 1	
APPROVED daveg				