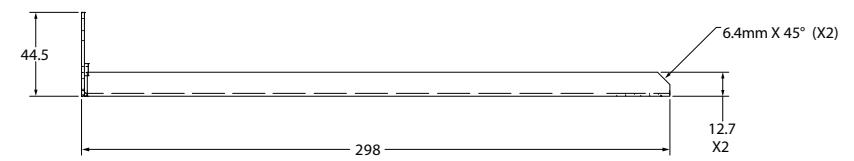
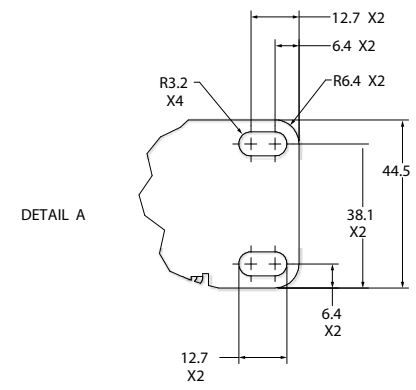
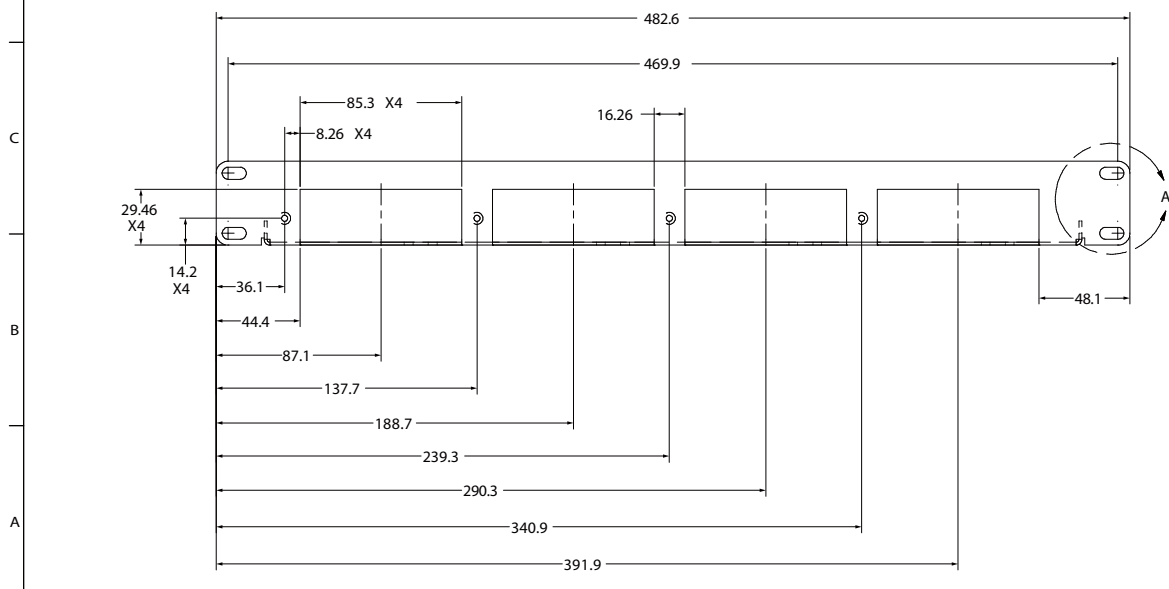
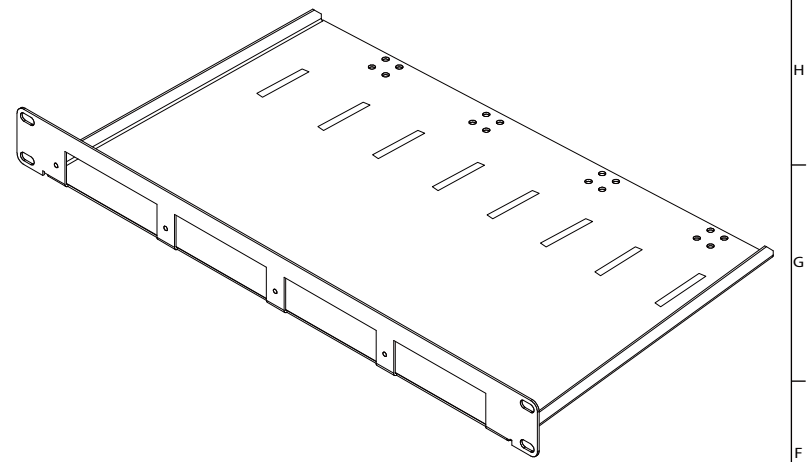
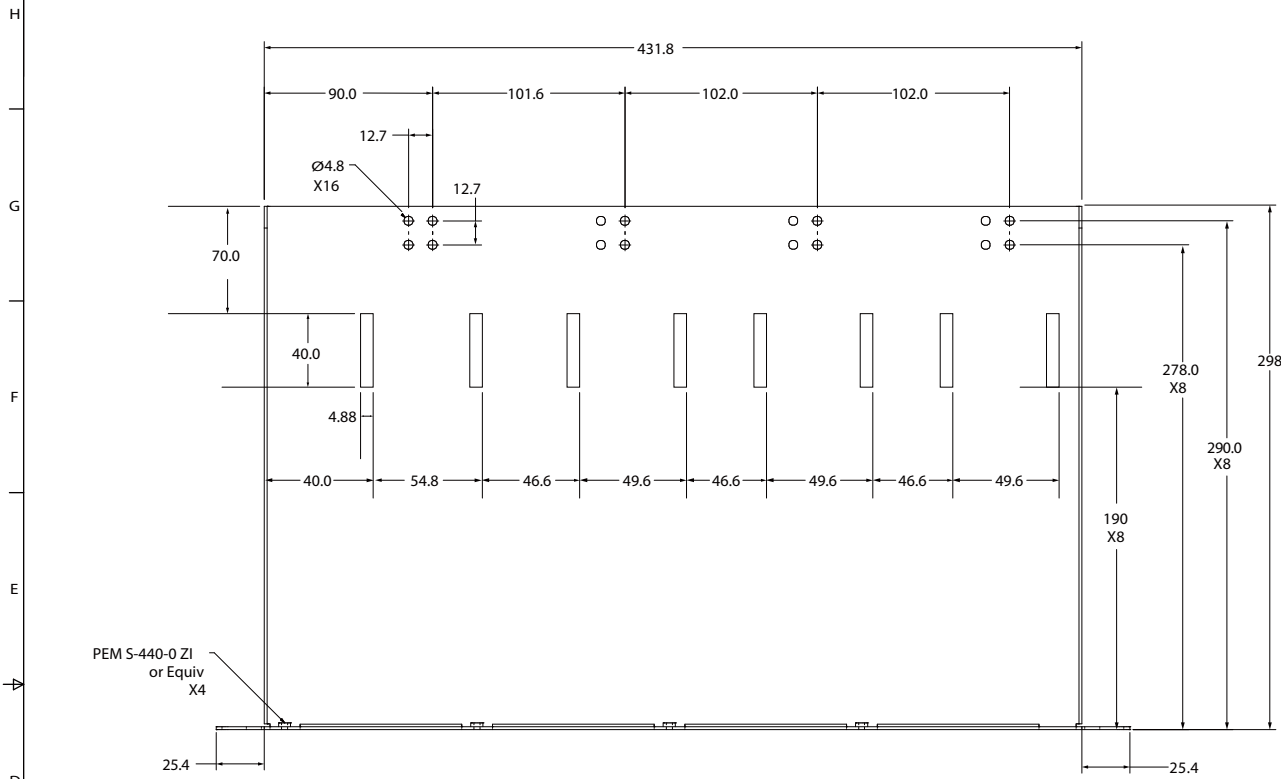



REVISION HISTORY			
REV	DESCRIPTION	DATE	APPROVED
1.0	OGRACK-1 Original PSI Rack (SA4-LONG-TRAY)	1/4/2010	OG



	Information	TRANSITION NETWORKS	
	ENG.	PRODUCT / PROJECT	
SCALE	CHK. K.Kisara	RMS19-SA4-OG	
1:1	DWN.	PART NO.	
UNIT	TOLERANCE	FAB, 19" TRAY, 1U, LONG	SHEET
mm	±0.5 ±4°		1 OF 1