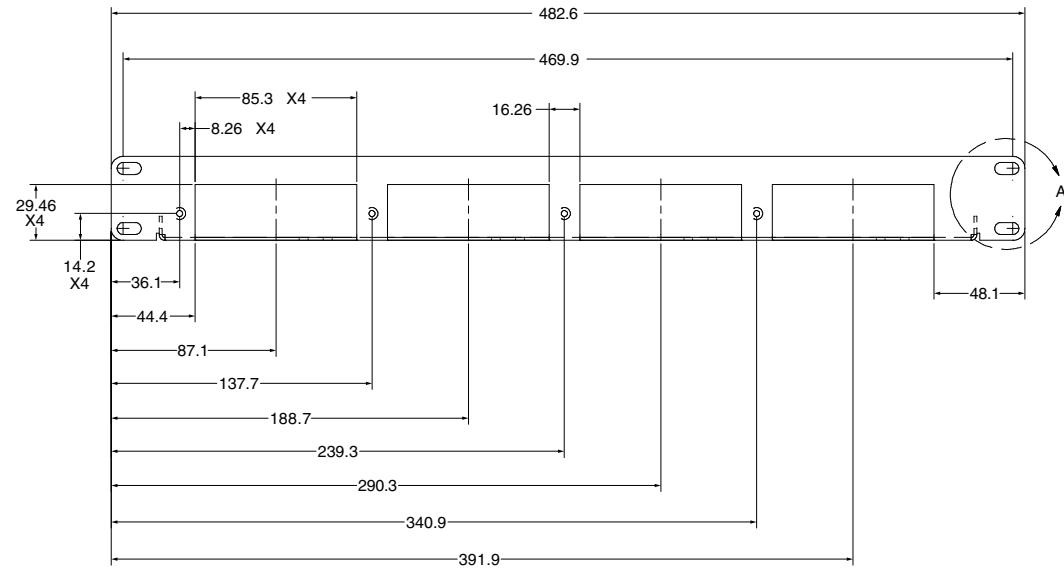
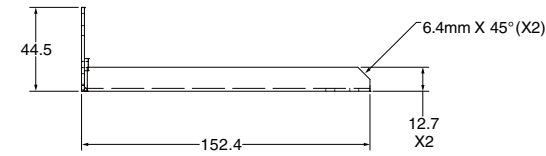
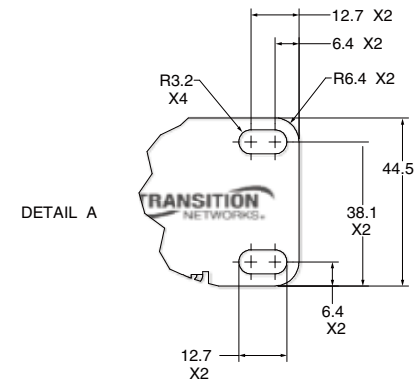
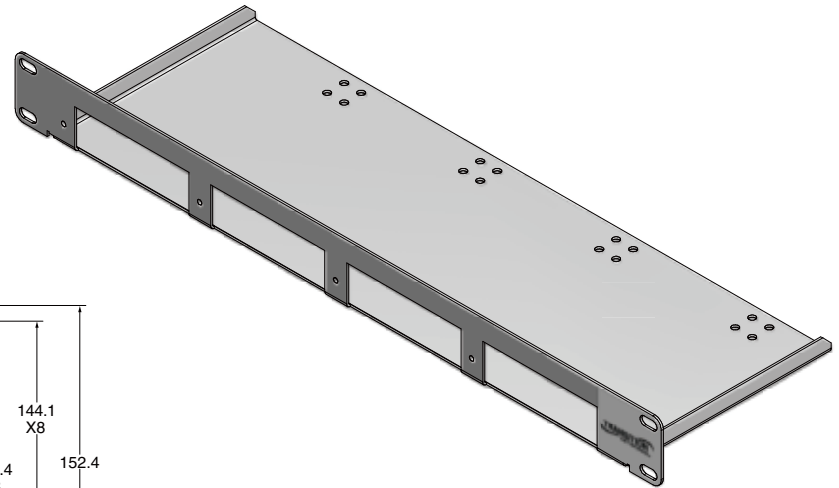
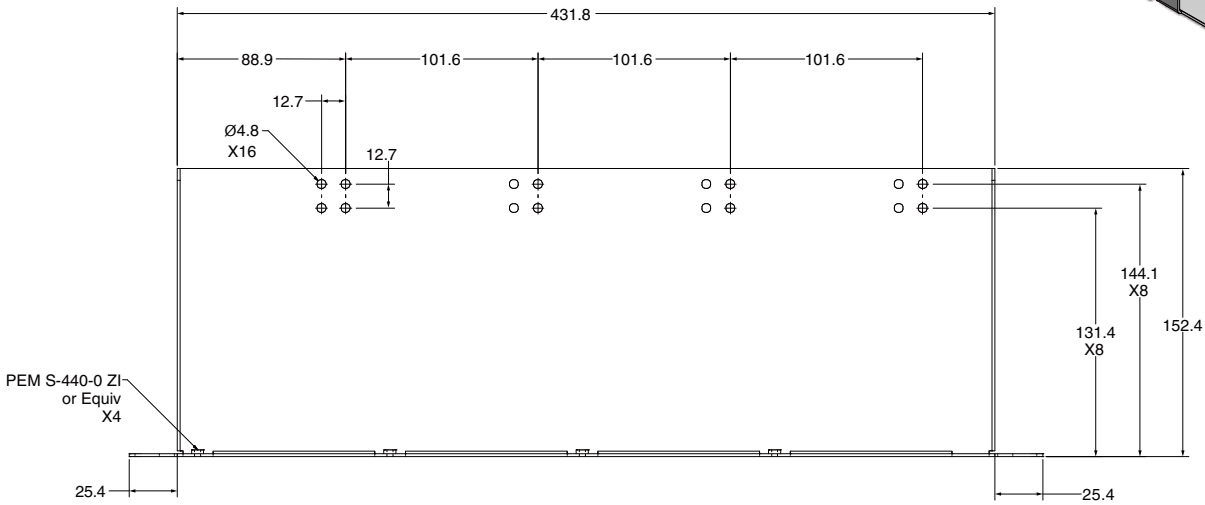


REVISION HISTORY			
REV	DESCRIPTION	DATE	APPROVED
04	REMOVE WELD POINTS. CHANGE FROM BLACK ZINC PLATING TO BLACK PAINT. ADD SILKSCREEN. CHANGE HOLES, FROM: 4.0mm, TO: 4.8mm (16X).	9/14/2005	lous
A	RELEASE TO PRODUCTION	9/20/2005	lous
B	ADD ROHS COMPLIANT NOTE	10/29/08	DG



	Information	TRANSITION NETWORKS	
	ENG.	PRODUCT / PROJECT	
SCALE	1:1	CHK. K.Kisara	RMS19-SA4-01
UNIT	mm	DWN. 31232 lous 9/20/2005	PART NO. RMS19
		TOLERANCE ±0.50 ±2°	SHEET 1 OF 1